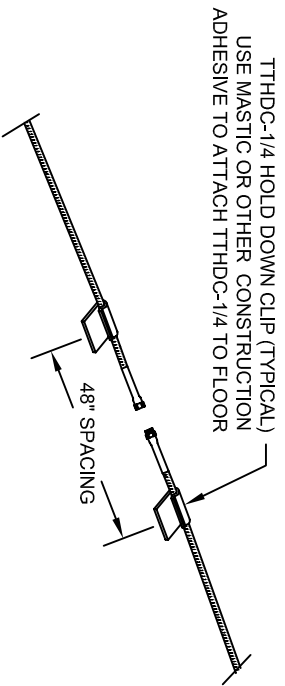
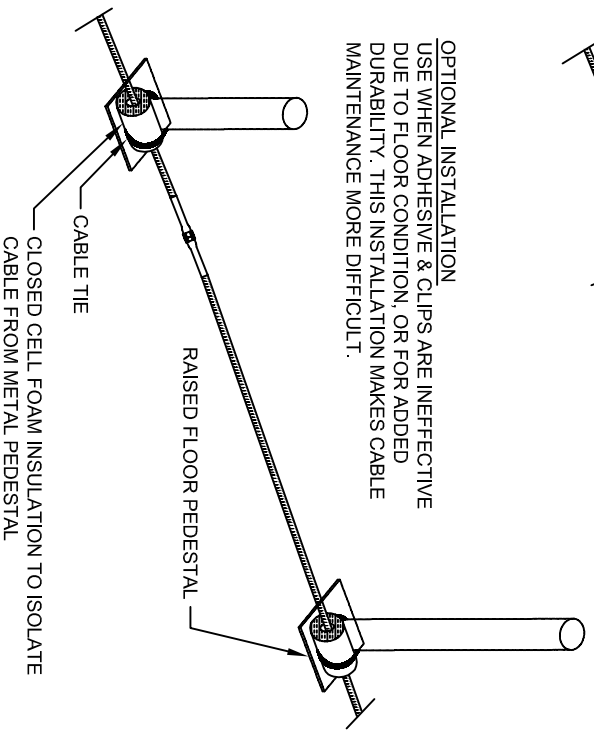


**STANDARD INSTALLATION**  
 LOCATE TTHDC FLOOR CLIPS EVERY 48" PROVIDE SUFFICIENT SLACK IN CABLE TO ALLOW CABLE COUPLINGS TO BE DISCONNECTED DURING FUTURE MAINTENANCE.

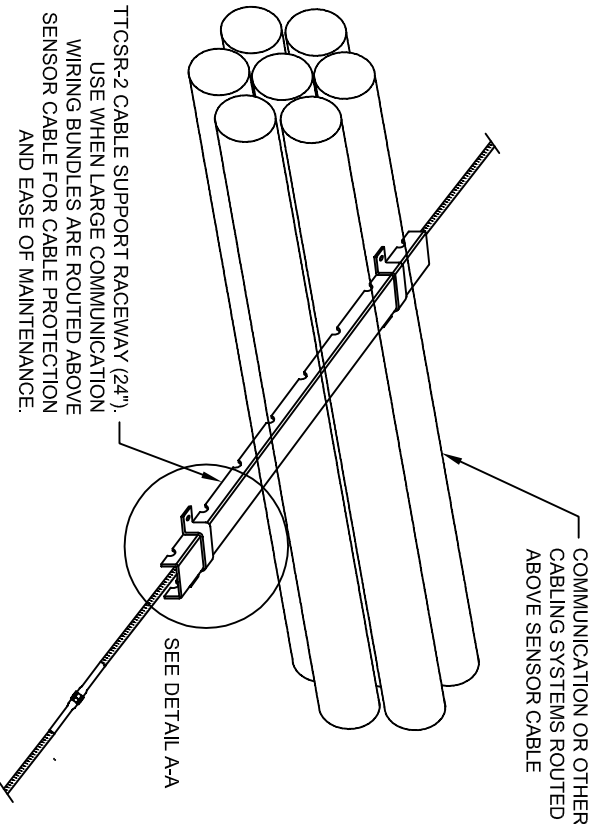


TTHDC-1/4 HOLD DOWN CLIP (TYPICAL)  
 USE MASTIC OR OTHER CONSTRUCTION ADHESIVE TO ATTACH TTHDC-1/4 TO FLOOR

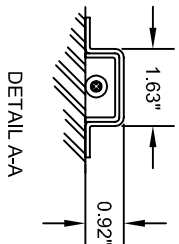
**OPTIONAL INSTALLATION**  
 USE WHEN ADHESIVE & CLIPS ARE INEFFECTIVE DUE TO FLOOR CONDITION, OR FOR ADDED DURABILITY. THIS INSTALLATION MAKES CABLE MAINTENANCE MORE DIFFICULT.



**INSTALLATION ACCESSORIES**  
 CARE SHOULD BE TAKEN WHEN ROUTING SENSOR CABLES. WHEN SENSORS MUST CROSS MAJOR COMPUTER OR COMMUNICATION WIRING RUNS, UTILIZE A TTCSR-2 TO PROTECT CABLE FROM DAMAGE AND TO ALLOW FUTURE REMOVAL OR MAINTENANCE OF SENSOR CABLE.



TTCSR-2 CABLE SUPPORT RACEWAY (24")  
 USE WHEN LARGE COMMUNICATION WIRING BUNDLES ARE ROUTED ABOVE SENSOR CABLE FOR CABLE PROTECTION AND EASE OF MAINTENANCE.



DETAIL A-A