

Description

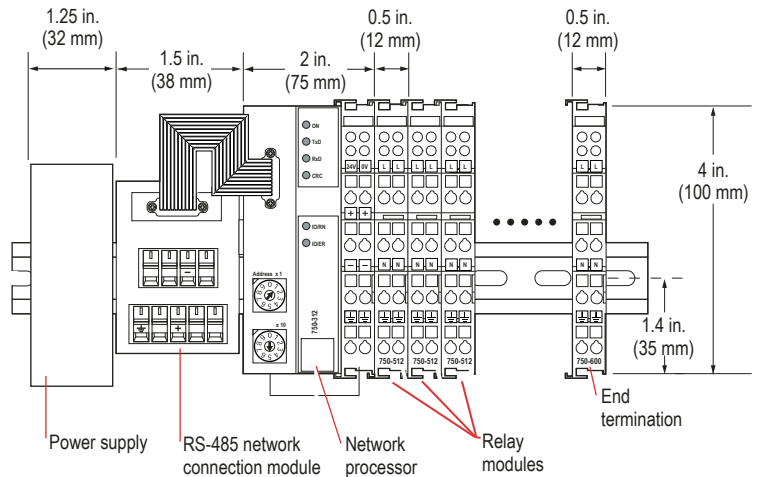
The TraceTek TT-NRM Network Relay Module provides the capability to add up to 320 individual alarm relays to a TraceTek TTDM-PLUS / TTSIM leak detection network. The TT-NRM communicates with the TTDM-PLUS via the same RS-485 network used for TTSIMs. The TT-NRM can be installed in a wide variety of configurations, allowing many leak detection system layout possibilities.

Expandable

The TT-NRM is supplied as a base unit (with power supply, communications interface, DIN rail and end blocks) and separate relay modules. Each relay module contains 2 independently addressable relays. Up to 16 relay modules can be installed on each base unit, and up to 10 base units can be connected to a single TTDM-PLUS. The leak detection network can be expanded at any time with minimal effort.

Versatile

The TT-NRM can be installed in large panels, or wall mounted in its own optional enclosure. TT-NRMs can be centrally located with the TTDM-PLUS, or distributed throughout the leak detection network to minimize wiring costs. The TT-NRM can be used to operate valves, control audible or visual alarms, or interface with other control systems.

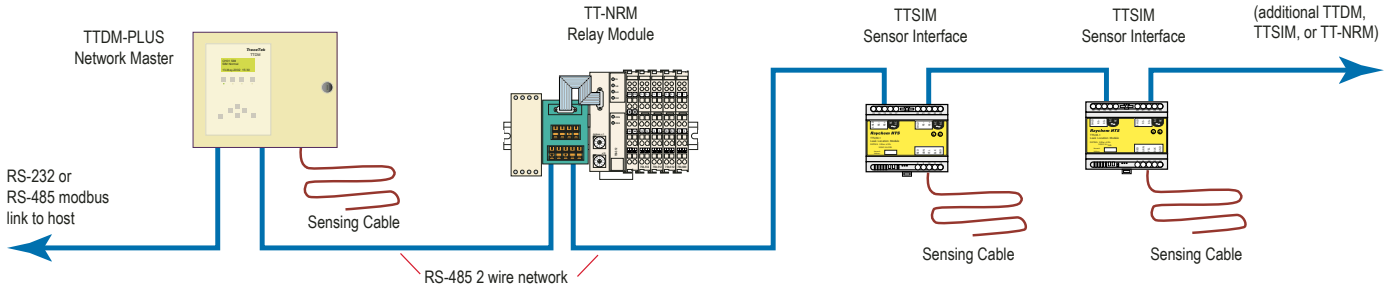


Width = 5.0 in. + 0.5 in. per relay module (+ 3.5 in. for optional power supply)
 = 127 mm + 12 mm per relay module (+ 90 mm for optional power supply)

Technical Information		Network compatibility	TTDM-PLUS / TTSIM networks
Relays	Number	Up to 32 Form A contacts per TT-NRM	
	Voltage rating	250 Vac, 30 Vdc	
	Current rating	1 Amp	
	Isolation	2.5 kV	
	Environmental Ratings		Storage Temperature
		Operating Temperature	0 °C to 55 °C
		Humidity	5% to 95% non-condensing
		Ingress Protection	IP 2X
Power requirements		Supply voltage	110~240 Volts, AC (50/60 Hz)
		Power consumption	6 W
Ordering information		Catalog number	Description
Base unit		TT-NRM-BASE	Base unit with power supply, communication interface and 1 relay output module (2 relays)
Relay modules		TT-NRM-2RO	Relay output module with 2 relays

TT-NRM TraceTek Network Relay Module

TraceTek network arrangement



Approvals

Individual modules are listed or approved by UL, c-UL, KEMA and other national and international agencies. Contact the factory for questions regarding specific approvals.

Electromagnetic compatibility



Compliant with standards for immunity	EN 50082-2 (industrial)
Compliant with standards for emissions	EN 50081-2 (industrial)

Tyco Thermal Controls
 300 Constitution Drive
 Menlo Park, CA 94025-1164
 USA
 Tel: (800) 545-6258
 Fax: (650) 474-7517
 E-mail: info@tycothermal.com
www.tracetek.com

Important: All information, including illustrations, is believed to be reliable. Users, however, should independently evaluate the suitability of each product for their application. Tyco Thermal Controls makes no warranty as to the accuracy or completeness of the information, and disclaims any liability regarding its use. Tyco Thermal Controls only obligations are those in the Tyco Thermal Controls Standard Terms and Conditions of Sale for this product, and in no case will Tyco Thermal Controls or its distributors be liable for any incidental, indirect, or consequential damages arising from the sale, resale, use or misuse of the product. Specifications are subject to change without notice. In addition, Tyco Thermal Controls reserves the right to make changes – without notification to Buyer – to processing or materials that do not affect compliance with any applicable specification.

TraceTek and Tyco are trademarks of Tyco Thermal Controls or its affiliates.