

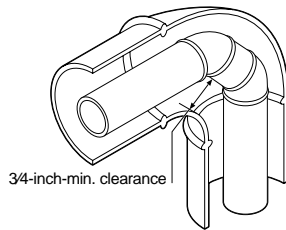
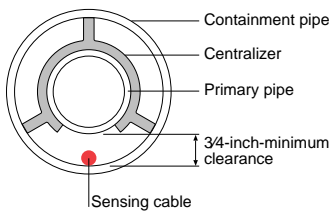
# Preselection checklist of key parameters for double containment pipe

## Directions for using this section

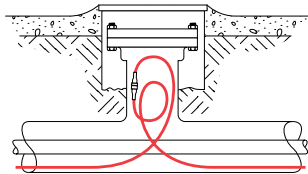
Following are design parameters for key aspects of a double containment pipe application. Verify that your application complies with each parameter and indicate your verification by checking the box beside it. If your application does not comply with one of these parameters, the application must be corrected for that parameter or contact Raychem or your Raychem representative.

## Clearance

- Carrier pipe centralized within secondary containment
- A 3/4-inch clearance at the 6 o'clock position throughout the pipe system, including bends and tees
- Centralizers aligned to within  $\pm 5$  degrees
- Centralizers glued or bonded to carrier pipe
- Centralizers sufficiently strong and placed frequently enough to carry fluid load and thermal expansion loads

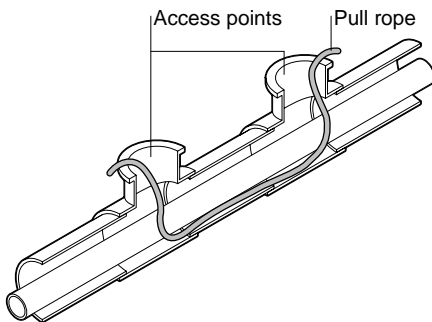


## Access points (pull points)



- Minimum 4-inch-diameter tees
- Extended to within 8 to 10 inches of grade
- Protected at grade by flush-mounted valve box with cover (10-inch-diameter minimum)
- When annular clearance is less than 1 inch, positioned after every 180° of horizontal direction change or every 250 feet of straight run
- When annular clearance is greater than 1 inch, positioned after every 360° of pipe bend or every 400 feet of straight run
- Placed at beginning and end of main run and at every branch that is sensed

## Pull rope



- 1/4-inch or 3/8-inch hollow braid polypropylene rope
- No tangles, splices, or knots
- No part pinched or glued
- Continuous lengths, tested for smooth pull between each set of access points
- Free moving, loose in pipe

## Sealed containment space

- All foreign matter (such as oil, dirt, mud, and ice) removed
- All standing water drained
- All puddles and low points dried
- Access risers, caps, end plates, and all penetrations designed for watertight seal, installed, and pressure checked
- Containment pipe fabricated to be liquidtight and sealed from the environment